

SHM FLOWMETER

SEWAGE HI-FLOW METERS

Analog/Mechanical Sewage and Waste Water Meter

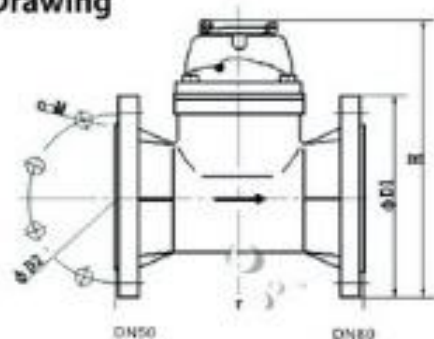
Size : DN 50 - DN 300 (50mm - 300mm; 2" - 12" & Available Size 16")

SHM - Analog/Mechanical Sewage Flowmeter is an epoxy coated iron paddle wheel flowmeter. It has great flow rate measure and resistant from many light chemicals and corrosion. Now, SHM Flow Meter is available for Cold up to 50 degrees Celcius and for Hotwater up to 90 degrees Celcius Sewage/Waste Water Flowmeter/Watermeter

It can be used for a remote reading transmission system as equipped with built in sensor (optional)



Drawing



APPLICATIONS:

- Sewage Treatment Plant (STP or WWTP); i.e: Hospital, Hotel, Industrial, Mall, Residential, Palm Oil, Industrial, etc
- Raw Water, Sludge Water and many others
- Inlet and Outlet Water Treatment System
- Best suited for pump system and high flowrate
- Many more applications

FEATURES:

- Easy Installation and Maintenance
- Dry Dial, Magnetic Drive
- Glass cover for screen display, anti fogging and haze
- High Bypass and Very Low Head Loss
- Vacuum Sealed Register
- Free From Condensation and Clear For Long Term
- Working Temperature 0.10C - 500C for
- Available for Cold and Hot water
- Max Pressure: 16 Bar
- Maximum Error : +/- 2%
- Selected High Quality Materials
- ISO 4064
- Warranty : 24 Months



Technical Specifications

Size			Max Flow Qmax	Continues Flow Qn	Transitional Flow Qt	Min Flow Qmin
DN	Inch	MM				
M ³ /Hour						
DN40	1.5"	40	20	10	0.8	0.2
DN50	2"	50	30	15	1	0.45
DN65	2.5"	65	50	25	5	0.75
DN80	3"	80	80	40	8	1.2
DN100	4"	100	120	60	12	1.8
DN125	5"	125	200	100	20	3
DN150	6"	150	300	150	30	4.5
DN200	8"	200	500	250	50	7.5
DN250	10"	250	800	400	80	12
DN300	12"	300	1200	600	120	18

Dimensions

Size	L Length	H High	Connection Flange		Weight Kgs
			D1 Outside Diameter	D2 Bolt Inner Diameter	
DN50	200	272	150	118	8
DN50	200	272	165	125	10
DN65	200	274	185	145	11
DN80	225	283	200	160	16
DN100	250	291	220	180	17
DN125	250	312	250	210	21
DN150	300	343	285	240	30
DN200	350	384	340	295	41
DN250	450	435	405	350	66
DN300	500	486	445	400	100

contact your distributor :
LUMAS MULTI SARANA
 Jl. Neptunus Barat I Blok A15/1
 Bandung - Jawa Barat
 Telp. : 022-7502678 Fax : 022-7535369
 HP : 082128076793
 e-mail : info@lumasmultisarana.com